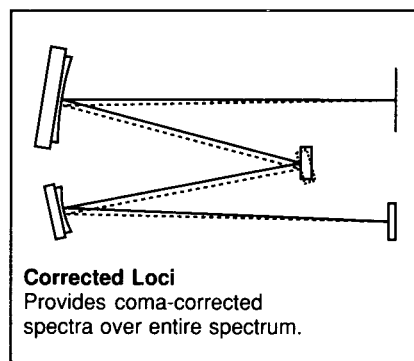
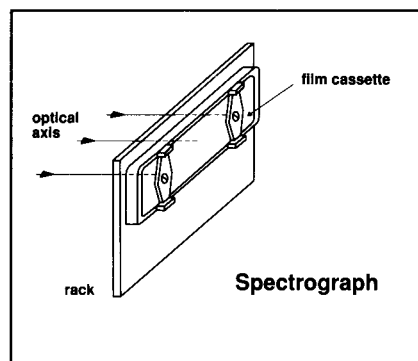
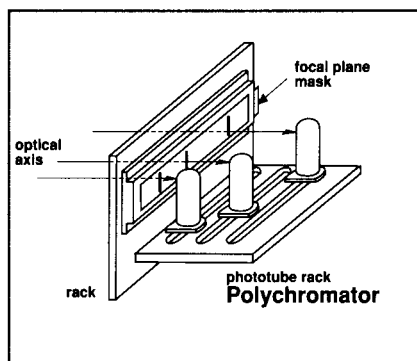


Model 219 shown with film and/or microchannel plate diode array adaptor in place of bilateral exit slit assembly.

- Three Operational Modes
Scanning monochromator
Spectrograph with 2" x 4" plateholder
Polychromator usable with up to 6 sidewindow detectors
- Patented "SNAP-IN" grating (64 x 64mm optional)
- Patented Corrected Loci optics
- Rackable plateholder
- Low scattered light
- Internally welded vacuum-tight aluminum housing
- External sine drive
- Optional stepping drive
- Multi slit locations



Specifications

Focal Length	0.5 meter Monochromator with patented "SNAP-IN" grating and patented corrected Loci optical system.								
Angle Between Entrance and Exit Beams	0° (90° and 180° optional)								
f/No.	8.7 (7 optional)								
Wavelength Range	105nm to 72μm								
Wavelength Accuracy	0.1nm (with 1200 G/mm grating)								
Wavelength Reproducibility	± 0.005nm (with 1200 G/mm grating)								
Grating Ruled Area	50 x 50mm (64 x 64mm optional)								
Focal Plane	35mm x 10cm film or 2" x 4" plate								
Grating (G/mm)*		2400	1200	600	300	150	75	50	20
Wavelength Range	From	105nm	105nm	105nm	105nm	105nm	105nm	105nm	105nm
	To	600nm	1.2μm	2.4μm	4.8μm	9.6μm	19.2μm	28.8μm	72.0μm
First Order Littrow Blaze		150nm 300nm	150nm 200nm 300nm 500nm 750nm	150nm 300nm 500nm 1.0μm 1.6μm	1.0μm 2.0μm 3.0μm	2.0μm 6.0μm	8.0μm 12.0μm	18μm	45μm
Resolution (nm) at 313.1nm		0.02	0.04	0.08	0.16	0.32	0.64	0.96	2.4
Dispersion (nm/mm)		0.83	1.66	3.33	6.66	13.3	26.6	40	100
Wavelength Range at Focal Plane (nm)		84	168	336	672	1344	2688	4032	10080

*other gratings available