

# instructions

## BUEHLER® SPECIMEN LOADING FIXTURE

60-2400

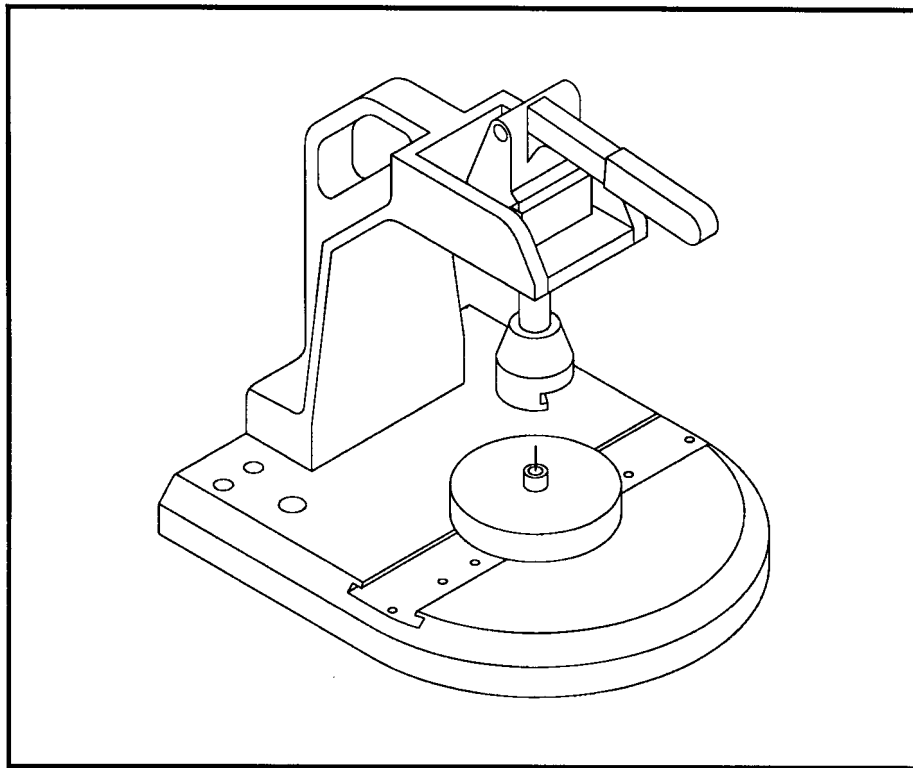


Figure 1. Specimen Loading Fixture 60-2400.

The BUEHLER® Specimen Loading Fixture is designed to load multiple samples with the use of BUEHLER® Pressure Plates or it can mount a single sample with the use of the Single Sample Adapter supplied with the Loading Fixture. The Loading Fixture is designed to work with BUEHLER® Specimen Loading Plate 60-2425.

For old style Specimen Holders either Specimen Loading Plate 30-2324 (for 4" & 4-1/4" O.D. Holders) or Specimen Loading Plate 30-2325 (for 6.92" O.D. Holders) will be required.



**BUEHLER**

41 Waukegan Rd. • Lake Bluff, Illinois 60044 USA  
Tel: 708/295-6500 • FAX: 708/295-7979

## Unpacking

Carefully unpack and check contents against packing list. If any components are missing or damaged, save the packing list and material. Advise the carrier and Buehler Ltd. of the discrepancy. The following is supplied:

- 1 Specimen Loading Fixture,
- 1 Single Sample Adapter.

## Operation

### Multiple Specimen Mounting Using Pressure Plates

1. Place the Specimen Holder in the Loading Plate as shown in Figure 2.
2. Place the samples inside the holes in the Specimen Holder.

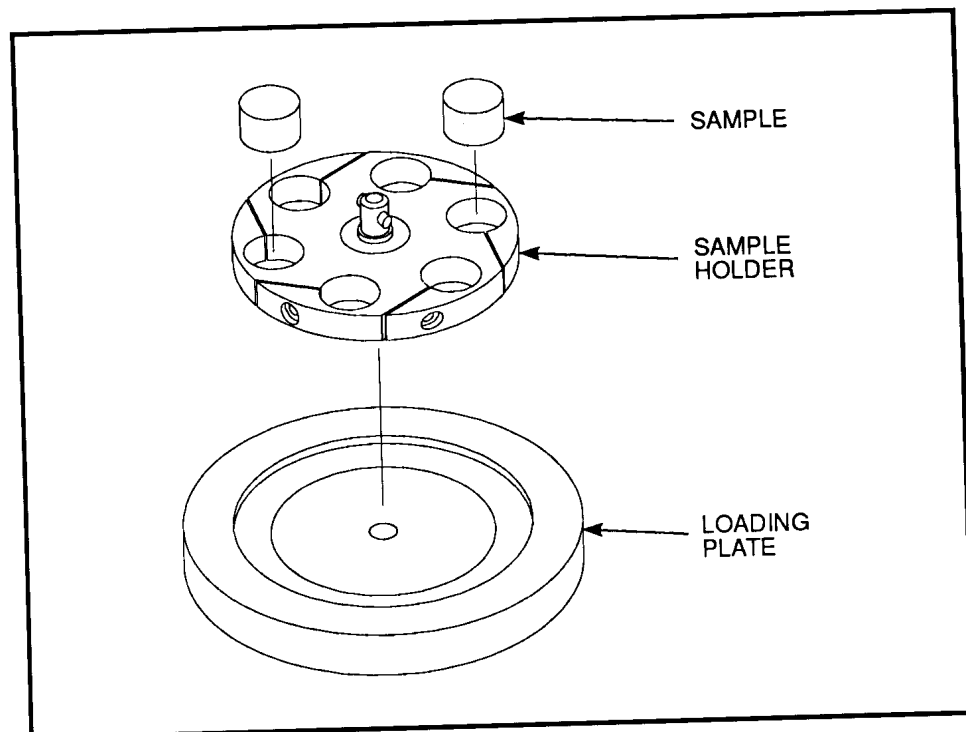
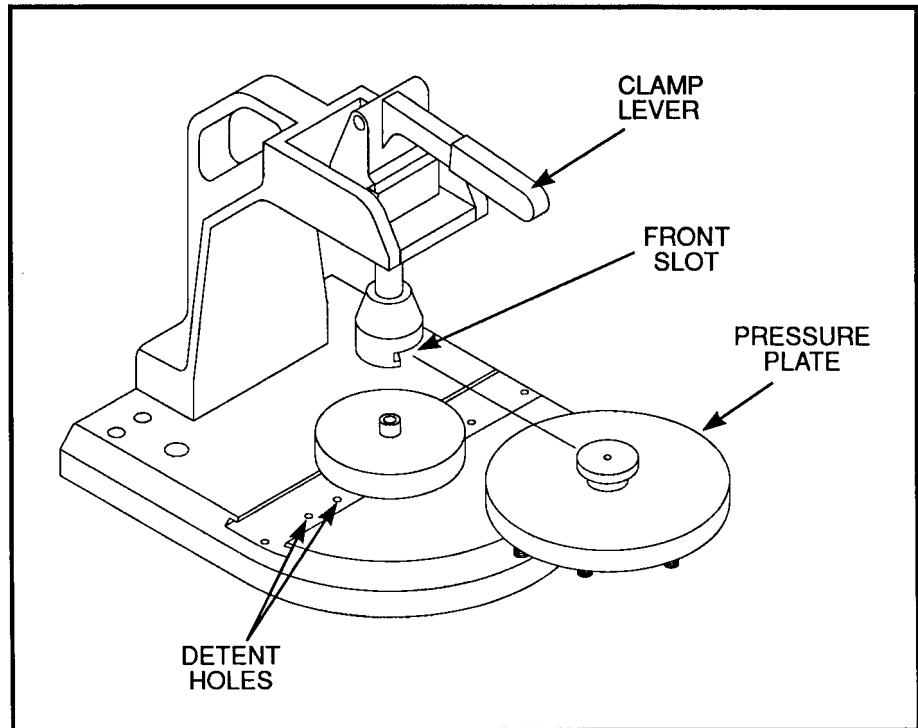


Figure 2. Positioning Specimen Holder in Loading Plate



**Figure 3.** Insertion of Pressure Plate to Loading Fixture.

**NOTE**

There are 5 detent holes in the Loading Fixture. One for the center and two on each side as shown in Figure 3.

3. With slight pressure move the Center Ring Assembly to the center detent hole as shown in Figure 3.
4. Place the Loading Plate with Specimen Holder on the center pin of the Center Ring Assembly.
5. Slide the Pressure Plate in the front slot on the Loading Fixture as shown in Figure 3 and align the springs on the Pressure Plate with the center of samples in the Specimen Holder.
6. Pull Clamp Lever towards you and down to secure all samples.
7. Using a Wrench, tighten samples one at a time.

**NOTE**

After tightening one sample, the Pressure Plate and Sample Holder can be rotated without releasing the pressure on the Loading Fixture.

**Single Specimen Mounting Using Single Sample Adapter**

---

1. Place the Specimen Holder in the Loading Plate as shown in Figure 2.
2. Place the samples inside the holes in the Specimen Holder.

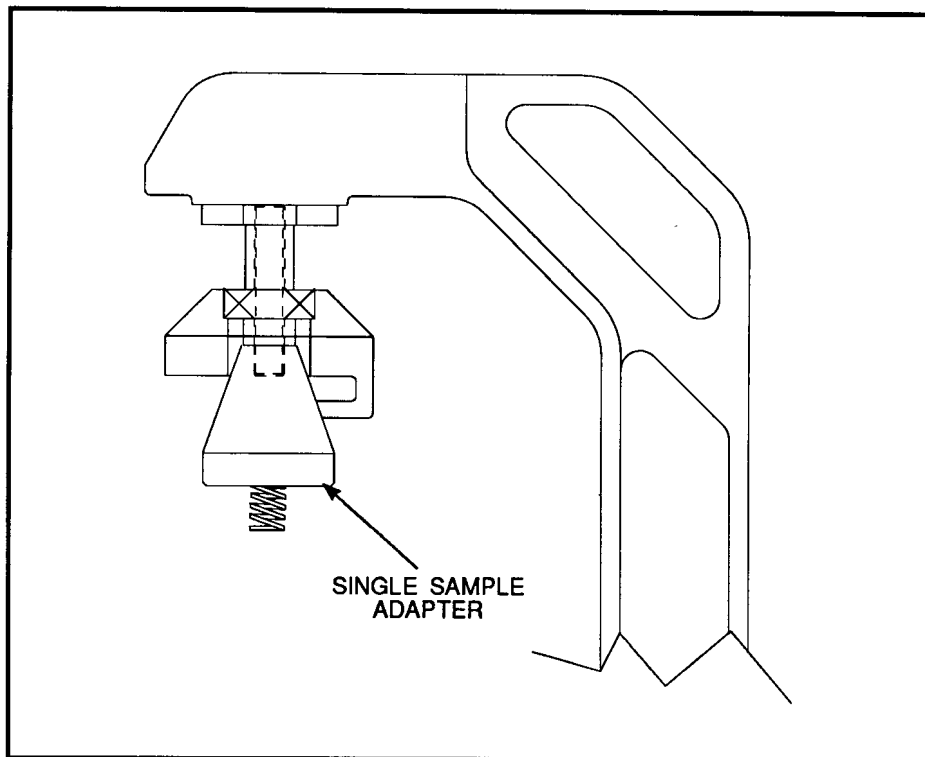


Figure 4. Installing Single Sample Adapter.

3. Mount the Single Sample Adapter by screwing it in the Loading Fixture as shown in Figure 4.
4. Place the Loading Plate with Specimen Holder on the center pin of the Center Ring Assembly.

**NOTE**

There are 5 detent holes in the Loading Fixture. One for the center and two on each side as shown in Figure 3.

5. With slight pressure move the Pressure Plate to one of the side detent holes to align the Single Sample Adapter with the sample in the Specimen Holder.
6. Align the spring on the Single Sample Adapter with the center of samples in the Specimen Holder and pull Clamp Lever towards you and down to lock in the sample.
7. Using a Wrench, tighten sample in the Sample Holder.
8. Use of older style Loading Plates is accomplished in the same manner.

 **BUEHLER**  
 41 Waukegan Rd. • Lake Bluff, Illinois 60044 USA  
 Tel: 708/295-6500 • Fax: 708/295-7979

Buehler Ltd. U.S.A.  
 Lake Bluff, IL (708) 295-6500  
 Irvine (L.A.) CA (714) 458-8885  
 Malvern (Phila.) PA (215) 296-7500  
 Houston, TX (713) 820-5550

Buehler UK Ltd.  
 University of Warwick  
 Science Park  
 Coventry CV4 7EZ England  
 (0203) 692242  
 Telex: 317219 BUEHUK G

Buehler-Met France  
 Zac. Courtaboeuf  
 Ave. de la Baltique  
 91 Villebon Sur Yvette  
 (1) 64 46 00 63  
 Telex: 603321 F

Buehler-Met GmbH  
 Stuttgart, West Germany  
 0711/45 10 42  
 Telex: 721951 BUMET D

Buehler-Met AG  
 Basel, Switzerland  
 06150 03 03  
 Telex: 965545 BUMET CH

Buehler-Mit Handelsges. m.b.H  
 Wiener Neudorf, Austria  
 02236/26851  
 Telex: 79220 BUMET A

Tech-Met Canada Ltd/Ltd  
 Toronto, Canada  
 (416) 291-9831  
 FAX: (416) 291-7820

MA 60-2400  
 6/91