

MODEL HTC WHEEL OPERATED TEST STAND

250 LB CAPACITY MANUAL TEST STAND

SPECIFICATIONS *

- Capacity: 250 lb (125 kg, 1250 N).
- Drive mechanism: Manual hand wheel with self locking screw, travels 1/2 inch (13 mm) per 10 turns.
- Standard maximum stroke: 1-7/8 inches (47 mm) all column lengths.
- Horizontal clearance between columns: 6 inches (152 mm).
- Lower compression plate / carriage platen: 4"W x 3"D (101 mm x 76 mm).
- Standard column length: 19 inches (482 mm).
- Compression testing

Standard vertical clearance - upper to lower compression plate:

- DFGS / DPP gauge: 12-1/4 inches (311 mm).
- DFIS / DPPH gauge: 11 inches (279 mm).

Maximum diameter specimen:

- DFGS / DPP gauge: 1-7/8 inches (47 mm).
- DFIS / DPPH gauge: 2-7/8 inches (73 mm).

- Tension testing

Standard extended length - upper to lower tension hook:

- DFGS / DPP gauge: 11-1/4 inches (285 mm).
- DFIS / DPPH gauge: 8 inches (203 mm).

Maximum diameter specimen:

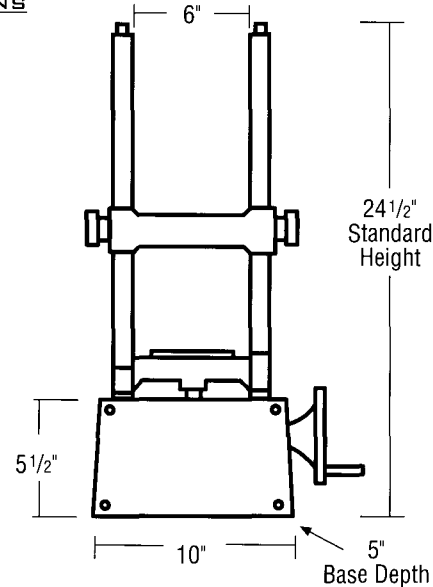
- Standard: 5-3/4 inches (146 mm).
- With optional dial indicator: 3-3/4 inches (95 mm).

GAUGE SELECTION

Model HTC offers standard mounting for the following Chatillon force gauges:

- DPP - all capacities (requires adapter kit HTCK-2)
- DPPH - all capacities (requires adapter kit HTCK-1)
- DFM - all capacities (requires adapter kit HTCK-6)
- DFIS - 2 lb thru 200 lb (requires adapter kit HTCK-1)
- DFGS - 250g thru 100 lb (requires adapter kit HTCK-2)
- DFGS-R - 250g thru 200 lb (requires adapter kit NC000225)

DIMENSIONS



WEIGHT

Instrument: 37 lbs. (17 kg)

Shipping: 42 lbs. (19 kg)

OPTIONAL ACCESSORIES

- Horizontal position support.
- 29 inch (736 mm) extended columns.
- 39 inch (990 mm) extended columns.
- 60 inch (1524 mm) extended columns.
- Longer spindles to increase maximum stroke to 3", 8", 13", or 24". (Require a 1-1/2" diameter clearance hole in workbench beneath stand for vertical operation)
- Dial indicator for measuring 1 inch of stroke. Specify:
HTCK-3 for DPPH / DFIS gauge (Standard or Metric).
HTCK-4 for DPP / DFGS gauge (Standard or Metric).
- Grips available for a wide range of needs.

Since 1835, Chatillon has set the standard for quality, reliability and value in weighing scales and force measuring instruments. We offer the broadest range of gauges, test stands and testing systems available from a single source, with products recognized worldwide for their superior craftsmanship and rugged reliability.

FOR MORE INFORMATION ON OUR COMPLETE LINE OF
FORCE TESTING GAUGES, STANDS, GRIPS AND ACCESSORIES,
CALL US AT (800) 527-9999
OR VISIT [HTTP://WWW.CHATILLON.COM](http://www.chatillon.com)

AMETEK® Chatillon®

*Chatillon reserves the right to modify these specifications without prior notification. Copyright 1997 John Chatillon & Sons, Inc. All rights reserved.