



LAB-LINE INSTRUMENTS, Inc.

DESIGNERS AND MANUFACTURERS OF INSTRUMENTS
FOR SCIENCE, INDUSTRY, AND EDUCATION SINCE 1908

Lab-Line Plaza—15th & Bloomingdale Aves.—Melrose Park, Illinois 60160

Phone: (312) 345-7400
Cable: LABLINE

INSTRUCTION MANUAL

* *

LAB-LINE

DUO VAC OVENS

CAT. NOS. 3625 & 3628

* *

(9-056-359-00)

IMPORTANT!

ALL SERVICE AND REPAIR OF LAB-LINE PRODUCTS IS TO BE COMPLETED BY THE AUTHORIZED LAB-LINE DISTRIBUTOR FROM WHOM YOU PURCHASED THE ITEM(S). SEE WARRANTY CARD NO. 2327.

UNDER NO CIRCUMSTANCES SHOULD MERCHANDISE BE RETURNED DIRECTLY TO LAB-LINE INSTRUMENTS, INC.

IF YOU HAVE ANY QUESTIONS THAT YOUR LOCAL LAB-LINE DISTRIBUTOR IS UNABLE TO ANSWER, PLEASE FEEL FREE TO CALL OUR CUSTOMER RELATIONS DEPARTMENT AT (312) 450-2600.

LAB-LINE INSTRUMENTS, Inc.

NOTE: Open the carton carefully, making certain that all parts are accounted for prior to discarding any packing materials. If any damage to the contents is revealed, PLEASE NOTIFY THE CARRIER IMMEDIATELY.

CHARACTERISTICS

The Lab-Line Duo-Vac Oven, Model Nos. 3625 and 3628, include many features to promote ease of operation. The unit is designed to operate on 115 volts, 50/60 Hz. An appropriate line cord is provided. Controls include an on-off rocker switch, control and hi-safety thermostats with individual pilot lights, and air and vacuum valves plus a vacuum gage. The unit is also provided with a push to reset, overload circuit breaker.

GENERAL INSTRUCTIONS.

The oven should be placed in a location free from drafts, away from windows, radiators, or ventilators.

Place the thermometer on one of the shelves near the window.

With the oven connected to the vacuum, close the door. Engage all four latches before operating cam latches. Operate cam latch handles at alternate corners to make latching easier. When oven gasket is new force will be high, but this will reduce with use.

OPERATION

Plug the unit into an appropriately powered outlet, and push the rocker switch to the on position. To set the temperature, turn the control thermostat to an appropriate number on the 0 to 100 scale. Readjust as desired after the temperature stabilizes. The hi-safety thermostat should be set slightly higher than the control thermostat. Rotate counterclockwise until the safety light glows, then clockwise until it goes out. To operate the unit as a vacuum oven, close the air valve completely, attach a vacuum source to the vacuum connector on the back of the unit and open the vacuum valve. The gage located next to the vacuum valve gives the vacuum reading in inches of mercury.

LOADING

Allow the oven to stabilize at the desired temperature with the vacuum "On" before loading. All three shelves may be used due to the unique radiant wall heating.

GASKET INSTALLATION INSTRUCTIONS

NOTE: If the following instructions are followed with care, no difficulty should be had in obtaining a good seal, when installing a new door gasket.

All dirt and foreign matter should be removed from inside the gasket groove and from all surfaces of the mounting ring on the oven.

Press the gasket onto the mounting ring at some starting point and then massage it into place with a damp cloth.

Check the door alignment to be certain that the inner glass surface fits evenly against the rounded sealing surface of the gasket around its entire periphery. The door latch may require some readjustment to accomplish this. Run oven at maximum temperature under full vacuum for eight hours to vulcanize gasket to mounting surface.

When evacuating the oven for the first time after installation of a new gasket, the final self alignment and seal can be facilitated by pushing in on the outer surface of the glass.

CAUTION: Do not permit any silicone oils or greases to come in contact with the gasket.

Refer to gasket as No. 3-530-103-00 with semi-circular sealing surface.

Report oven usage, load, and temperature.

REPLACEMENT PARTS LIST FOR CAT. #3625 (120V, 50/60 Hz)

<u>Description</u>	<u>Part. No.</u>	<u>No. Required</u>
Shelf	0-810-205-00	3
Heater - 200 Watt, 120V	2-340-002-00	6
Vacuum Gauge	0-660-076-00	1
Thermostat	0-920-007-00	2
Knob	0-560-181-00	2
Neon Indicator (Control)	0-360-146-00	1
Power Switch	0-440-089-00	1
Cordset	2-470-105-00	1
Thermometer (Dial) 0-300°C	0-910-017-00	1
Door Glass	2-540-119-00	1
Gasket (Door Sealing)	3-530-103-00	1
Valve	0-950-109-00	2
Latch Catch	0-600-075-00	4
15 Amp Circuit Breaker	0-330-124-00	1
Wiring Diagram	2-226-923-00	1
Neon Indicator (Safety)	0-360-164-00	1
Lock Sash	0-600-001-00	4

REPLACEMENT PARTS LIST FOR CAT. #3628 (120V, 50/60 Hz)

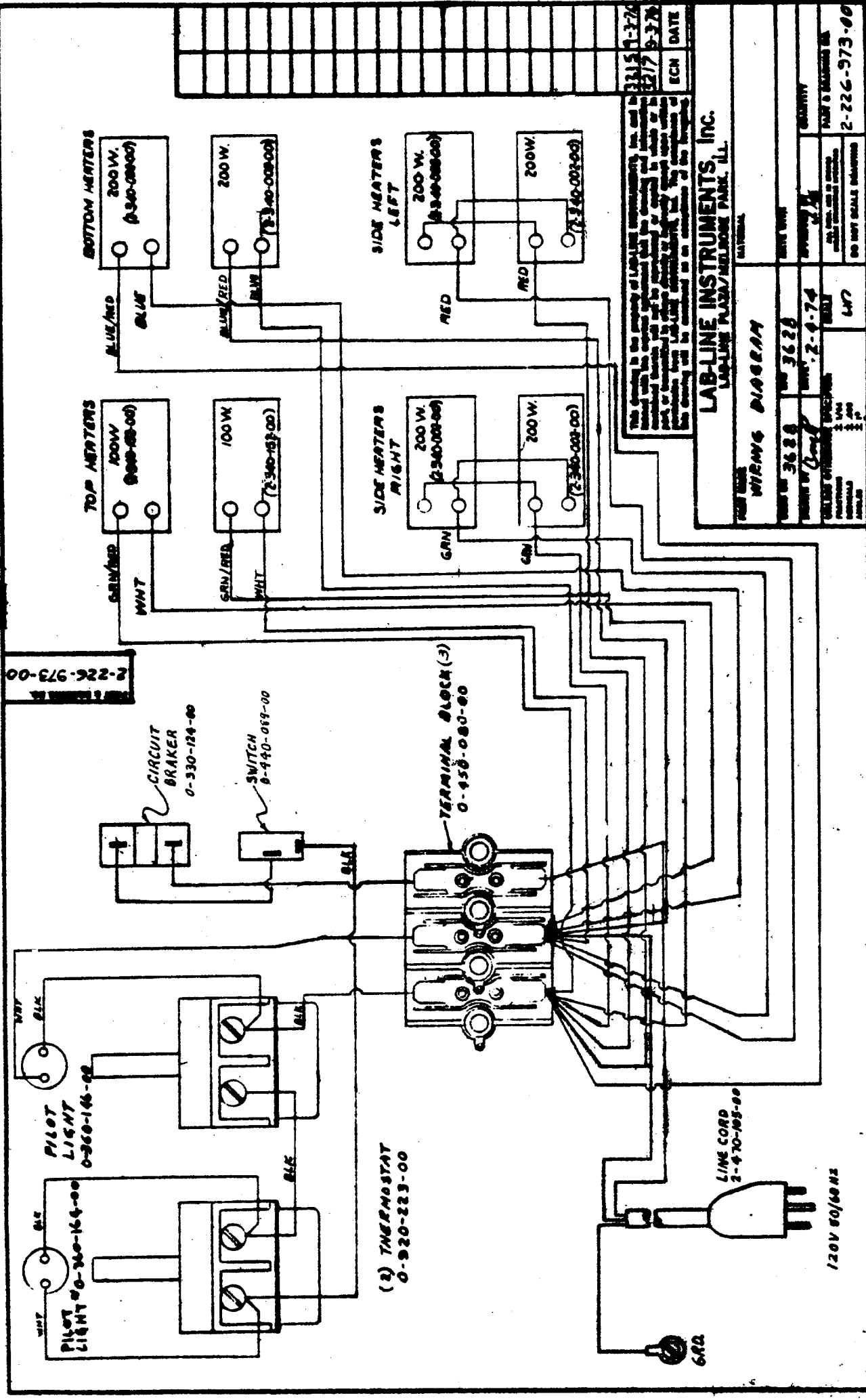
Shelf	0-810-206-00	3
Heater - 100 Watt, 120V	2-340-152-00	2
Heater - 200 Watt, 120V	2-340-002-00	6
Vacuum Gauge	0-660-076-00	1
Thermostat	0-920-007-00	2
Knob	0-560-181-00	2
Neon Indicator (Control)	0-360-146-00	1
Power Switch	0-440-089-00	1
Cordset	2-470-105-00	1
Thermometer (Dial)	0-910-017-00	1
Door Glass	2-540-119-00	1
Gasket (Door Sealing)	3-530-103-00	1
Valve	0-950-109-00	2
Latch Catch	0-600-075-00	4
Circuit Breaker, 15 Amp	0-330-124-00	1
Wiring Diagram	2-226-973-00	1
Neon Indicator (Safety)	0-360-164-00	2
Lock Sash	0-600-001-00	4

REPLACEMENT PARTS LIST FOR CAT. 3625-1 (220V, 50/60 Hz)

Pilot Light	1-360-147-00	2
Wiring Diagram	2-226-923-01	1

REPLACEMENT PARTS LIST FOR CAT. 3628-1 (220V, 50/60 Hz)

Pilot Light	1-360-147-00	2
Wiring Diagram	2-226-973-01	1



This drawing is the property of LAB-LINE INSTRUMENTS, Inc. and is loaned to you for your information only. It is not to be reproduced, stored in a retrieval system, or transmitted in any form or by any means, electronic, mechanical, photocopying, recording, or by any information storage and retrieval system, without the prior written permission of Lab-Line Instruments, Inc. The complete set of drawings will be furnished to you as an acknowledgment of this drawing.

LAB-LINE INSTRUMENTS, INC.
 LAB-LINE PLAZA/NELODGE PARK, ILL.
 MATHEMATICAL

WIRING DIAGRAM

PART NO. 3628 REV. 3628 DATE WHT

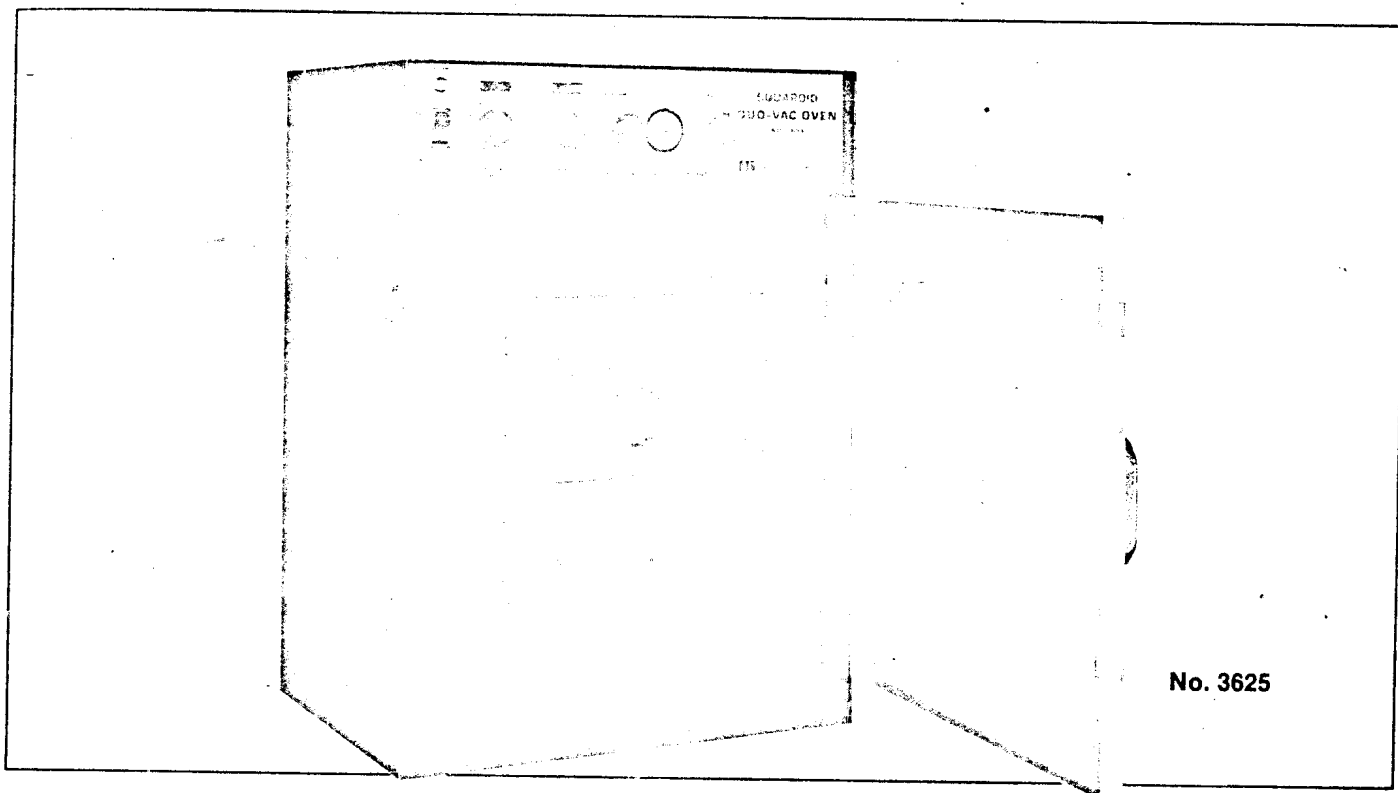
QUANTITY 147

2-226-973-00

2-226-973-00

120V 60/60HZ

LAB-LINE® "SQUAROID"™ DUO-VAC® OVENS



- 2 sizes—1.1 cu ft (.03 cu m) and 1.7 cu ft (.05 cu m)
- Radiant warm wall heat
- Dual-T-Safety thermostats—1 control, 1 safety
- Solid aluminum shelves for better heat conduction to samples
- Temperature range from slightly above ambient to 300°C
- Vacuum to 30 inches Hg

The Lab-Line® "Squaroid"™ Duo-Vac® Ovens are useful for industrial and research labs for drying under carefully controlled conditions at either normal atmosphere or up to 30 inches Hg of vacuum. Desiccating, vacuum embedding, plating and electronic process control are all made easier. Under carefully controlled conditions, these ovens may also be used with non-corrosive, non-flammable gases such as nitrogen, CO₂, etc.

Top mounted control panel puts all controls at eye level and includes Dual-T-Safety thermostats, line switch and pilot light, vacuum control valve and gauge, vacuum release valve and circuit breaker.

Radiant warm wall heat with no internal exposed heaters provides uniform heat while preserving valuable chamber space. Temperatures are controlled by Dual-T-Safety control thermostats. If the control thermostat fails, the safety thermostat automatically takes over protecting the samples.

Vacuum levels are precisely controlled between 0 and 30 inches Hg. Door has easy latch feature for safe, secure closing and silicone door gasket assures tight seal at all vacuum levels. Hi-strength tempered glass window fully protected by safety screen allows full view of chamber contents. Solid aluminum shelves for

better heat conduction to samples are adjustable on 1/2" (1.3 cm) centers. Chamber interior is stainless steel for easy cleaning and chemical resistance, exterior construction is heavy enameled steel. 3" (7.6 cm) of glass wool insulation throughout provides the best temperature uniformity.

HOW TO ORDER

NO. 3625 LAB-LINE® "SQUAROID"™ DUO-VAC® OVEN (15 month warranty). Temperature range from slightly above ambient to 300°C; working chamber 13 1/4"D x 12"H x 12"W (33.7 x 30.5 x 30.5 cms)—1.1 cu ft (.03 cu m); radiant warm wall heat; Dual-T-Safety control thermostats—1 control, 1 safety; top mounted control panel with thermostats, vacuum gauge, vacuum control valve, vacuum release valve, dial thermometer and circuit breaker; 3 solid adjustable aluminum shelves providing 422 sq in (2723 sq cms) of shelf space; stainless steel interior, enameled steel exterior; 3 wire cord; overall size 27"H x 20"W x 18"D (68.6 x 50.8 x 45.7 cms). 120 Volts, 50/60 Hz. 1200 Watts. Net wt. 175 lbs (79.4 kgs); Ship. wt. 225 lbs (102.1 kgs).

Price

NO. 3625-1 Same as NO. 3625 except 220 Volts, 50/60 Hz. **Price**

NO. 3628 Same as NO. 3625 except working chamber 20"D x 12"H x 12"W (50.8 x 30.5 x 30.5 cms)—1.7 cu ft (.05 cu m); 3 solid adjustable shelves providing 432 sq in (2787 sq cms) of shelf space; overall size 27"H x 26"D x 20"W (68.6 x 66 x 50.8 cms). 1600 Watts. Net wt. 205 lbs (93 kgs); Ship. wt. 255 lbs (115.7 kgs).

Price

NO. 3628-1 Same as NO. 3628 except 220 Volts, 50/60 Hz. **Price**