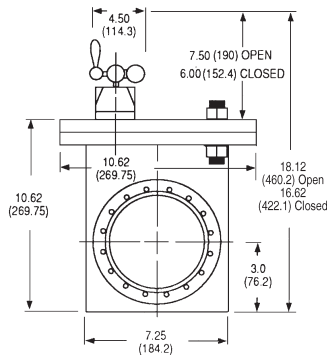
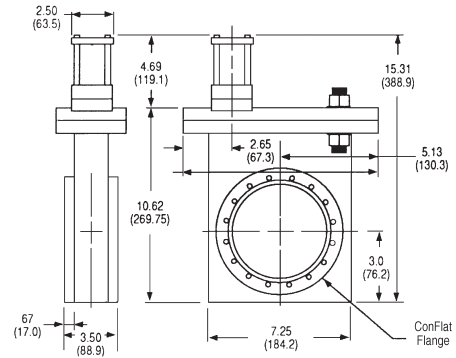


4 in. Manual Metal-Bonnet-Seal Valve in. (mm)



4 in. Electropneumatic Metal-Bonnet-Seal Valve in. (mm)



Technical Specifications – 4 in.

<b>Vacuum Range</b>	Atmosphere to below $10^{-11}$ torr (mbar)
<b>Leak Rate</b>	Main seal less than $1 \times 10^{-10}$ std cc/sec for helium with 15 psi differential, either direction. Body and bellows less than $1 \times 10^{-11}$ std cc/sec for helium with 15 psi differential, either direction.
<b>Bakeable To</b>	Viton 200° C Kalrez 300° C with solenoid valve removed
<b>Service Life</b>	100,000 cycles
<b>Air Pressure</b>	75 to 120 psig
<b>Loss of Power</b>	Valve closes in the event of electrical power failure whenever air pressure is applied; upon loss of both electrical and pneumatic, gravity controls position of gate

6 in. x 4 in. Inlet CFF Dimensions

ID:	4.00 (101.6)
OD:	5.97 (151.6)
THK:	0.67 (17.0)
BC:	5.128 (130.3)
16 holes, 5/16–24 thread	

Ordering Information – 4 in.

Description	Part Number	Metric Threaded CFF	Shipping Weight lbs. (kg)
Manual stainless steel swing gate valve, with 4 in. port, metal bonnet seal, gold-plated copper bellows seal, ConFlat® flanges			
With Viton main seal	Q1523302	Q1523309	30.0 (13.6)
With Kalrez main seal	Q1523307		30.0 (13.6)
Electropneumatic stainless steel swing gate valve, 4 in. port, Viton main seal, copper bonnet seal, gold-plated copper bellows seal, ConFlat™ flanges			
110/120 V, 50/60 Hz	Q1523301		30.0 (13.6)
100 V, 50/60 Hz	Q1523303		30.0 (13.6)
200 V, 50/60 Hz	Q1523304		30.0 (13.6)
220/240 V, 50/60 Hz	Q1523305		30.0 (13.6)
24 VDC	Q1523306	Q1523310	30.0 (13.6)
With Kalrez main seal (110 V/120 V 50/60 Hz)	Q1523308		30.0 (13.6)

4 in. Valves, Accessories and Replacement Parts

Position indicator	9530122	3.0 (1.3)
Seal kit (bellows seal, bonnet seal, seal plate seal)	Q3167302	1.5 (0.7)
Viton main seal o-ring (Parker 2-242)	2740275500	0.5 (0.2)
Kalrez main seal	660894242	0.5 (0.2)
Metal bonnet seal	Q3559001	0.5 (0.2)
Pneumatic cylinder repair kit (piston cup, lubricant, piston shaft o-ring, cylinder o-ring)	Q3170301	4.0 (1.8)
Gold-plated copper bellows seal	9530130	0.5 (0.2)
Bellows assembly, SST, manual valve	Q3154301	1.0 (0.5)
Bellows assembly, SST, pneumatic valve	Q3155301	1.0 (0.5)
Flange gaskets, OFHC copper, 10/pkg, individually packed	FG0600CI	1.5 (0.7)
Screw & washer set for tapped flanges 5/16–24 x 1 1/4 in., 25 sets/pkg	FB0450T12	2.5 (1.1)