

EH2600 MECHANICAL BOOSTER PUMP

TECHNICAL DATA

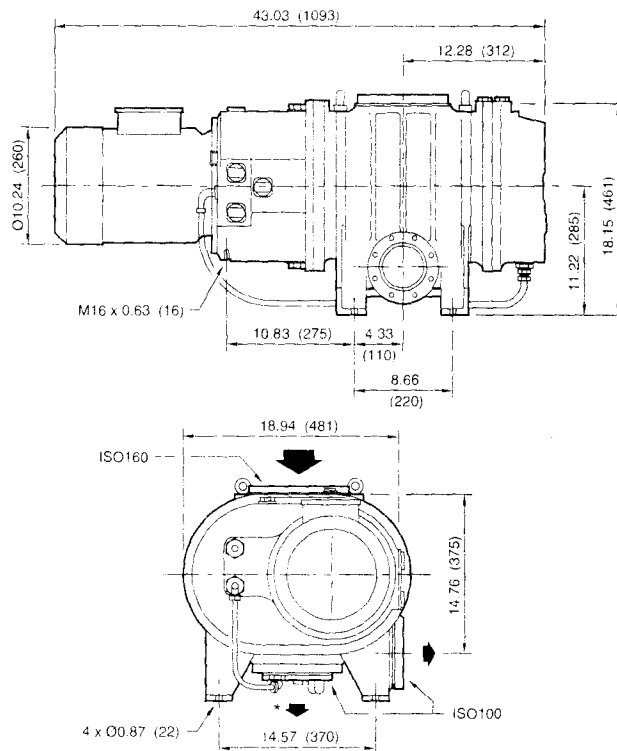
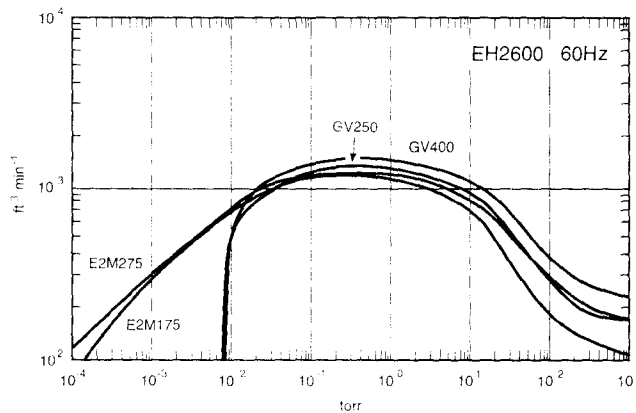
Displacement (swept volume)	
50 Hz supply	2590 m ³ h ⁻¹ , 1525 ft ³ min ⁻¹
60 Hz supply	3110 m ³ h ⁻¹ , 1830 ft ³ min ⁻¹
Effective pumping speed* with backing pump	
E1M175 or E2M175	1750 m ³ h ⁻¹ , 1031 ft ³ min ⁻¹
E1M275 or E2M275	1900 m ³ h ⁻¹ , 1119 ft ³ min ⁻¹
Rotational speed†	
50 Hz supply	0 - 2900 rpm
60 Hz supply	0 - 3500 rpm
Total pressure, single stage backing pump, with gas ballast	
	2 × 10 ⁻² mbar, 1.5 × 10 ⁻² torr
Ultimate pressure, permanent gases, single stage backing pump, no gas ballast	
	2 × 10 ⁻³ mbar, 1.5 × 10 ⁻² torr
Total pressure, two stage backing pump, with gas ballast	
	1 × 10 ⁻³ mbar, 0.75 × 10 ⁻³ torr
Operating continuous inlet pressure range (with suitable backing pump)	
	0 - 1000 mbar, 0 - 760 torr
Maximum outlet pressure	
	1000 mbar, 760 torr
Pressure differential across pump‡	
50 Hz supply	0 - 80 mbar, 0 - 60 torr
60 Hz supply	0 - 67 mbar, 0 - 50 torr
Recommended backing pumps	
	GV250, GV400, E2M175, E2M275
Inlet connection	
	ISO160
Outlet connection	
	ISO100
Electrical supply voltage, 3-phase	
50Hz	220 - 240 V/380 - 415 V
60 Hz	208 - 230 V/460 V
Motor power	
	7.5 kW, 9.75 hp
Ambient temperature range	
Operating	5 - 40 °C
Storage	-10 to 80 °C
Maximum operating humidity	
	90% RH
Recommended cooling water flow (inlet temperature 20°C)**	
	250 lh ⁻¹ , 1.1 gal min ⁻¹
Recommended cooling water supply pressure	
	2 - 6 bar
Cooling water connections	
	3/8 inch BSP male
Recommended oil	
Standard version	Ultragrade 20
PFPE version	Fomblin YVAC 1%
Oil capacity	
Gear cover	3.5 l, 3.3 qt
Coupling cover	6.5 l, 7 qt
Shaft seal reservoir	1.5 l, 1.4 qt
Weight	
	308 kg, 679 lb

* Effective pumping speed for air at 0.3 mbar (0.2 torr) with 50 Hz supply. Effective pumping speed with 60 Hz supply will be at least 20% higher than operation with 50 Hz supply.

† Depends on pressure.

‡ Determined by the hydrokinetic drive.

**Under many circumstances the EH2600 may operate without cooling water. Apply to BOC Edwards for more information.



Pump is shown with inlet and outlet blanking flanges fitted. Dimensions are to the top surface of the pump flange.

* Alternative outlet position

ORDERING INFORMATION 1-800-848-9800

PRODUCT DESCRIPTION	PRICE	ORDERING NUMBER
EH2600, 50Hz		
Standard	\$19091	A307-S1-935
PFPE	\$19350	A307-S3-935
EH2600, 60Hz		
Standard	\$19091	A307-S2-936
PFPE	\$19350	A307-S4-936

Pump is supplied fitted with 2 trapped 'O' rings and flange covers.

SPARES	PRICE	ORDERING NUMBER
The clean and overhaul kit contains seals, gaskets, sleeves and other components required for routine maintenance and whenever the pump is dismantled. The module kit contains additional bearings and seals for a full service. The shim kit contains a selection of shims for correct pump set-up.		
Clean and overhaul kit	\$855	A307-S1-815
Module kit	\$791	A307-S1-820
Shim kit	\$39	A307-S1-825